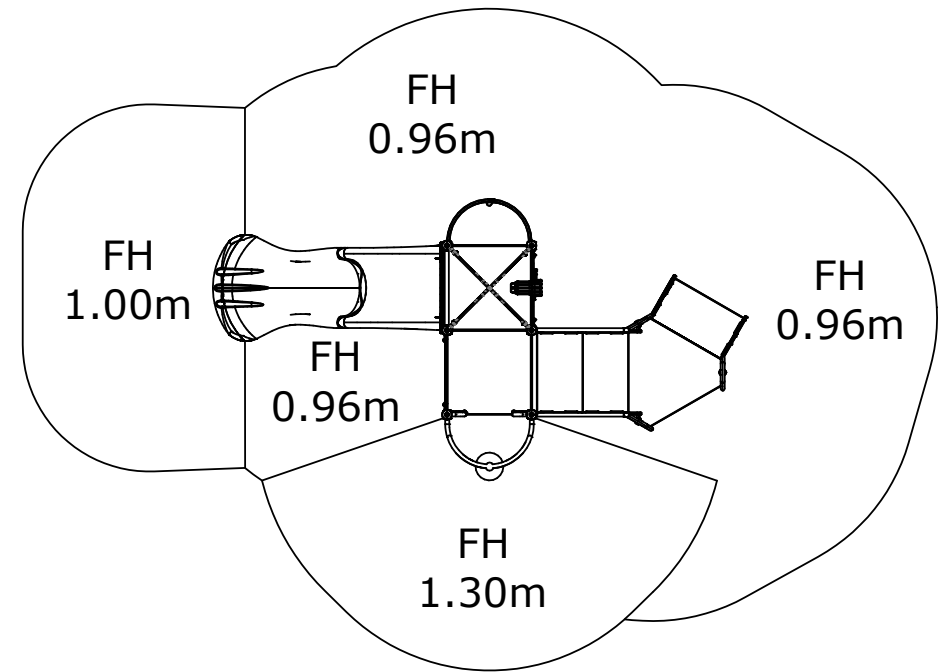
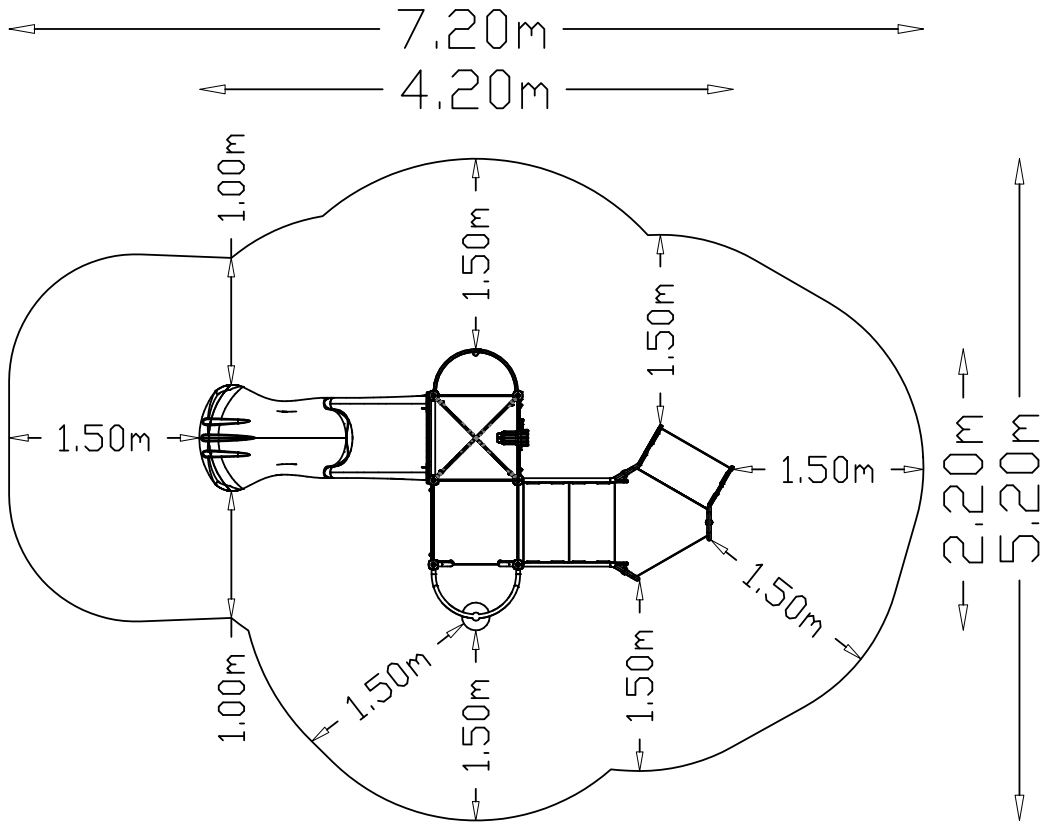


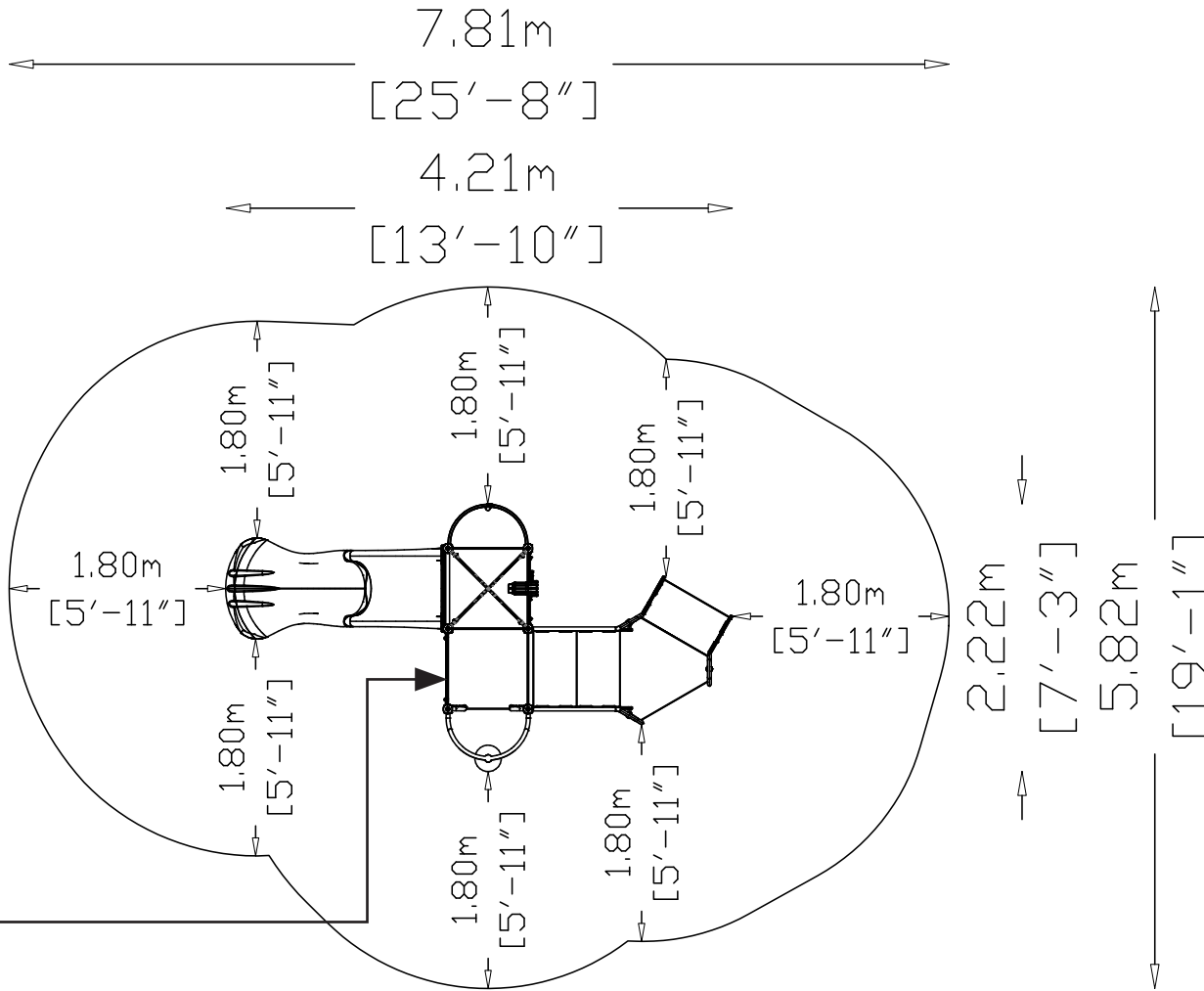
EN1176



S9

CSA Z 614
1.30m
[4'-3"]

CSA Z614



INSTALL 101

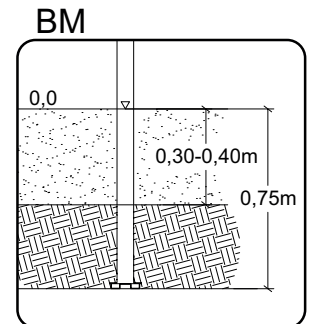
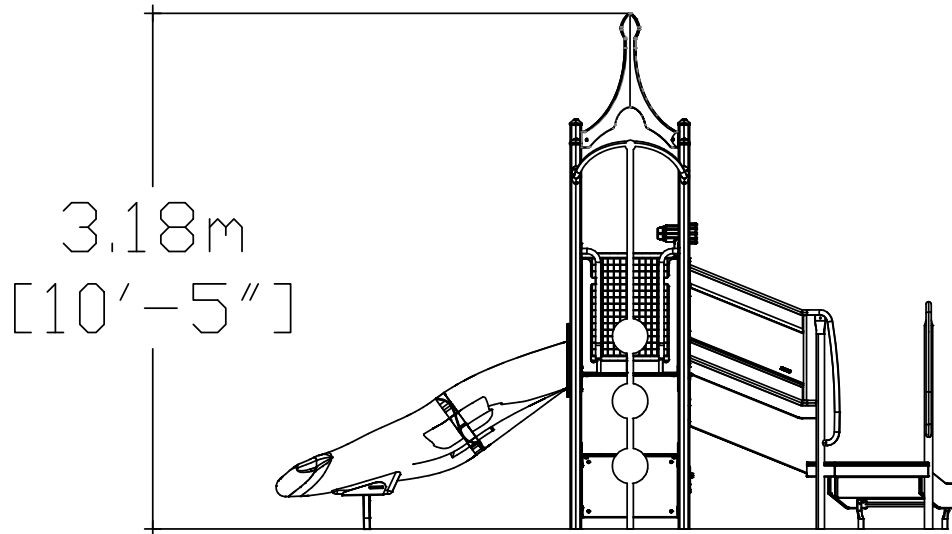
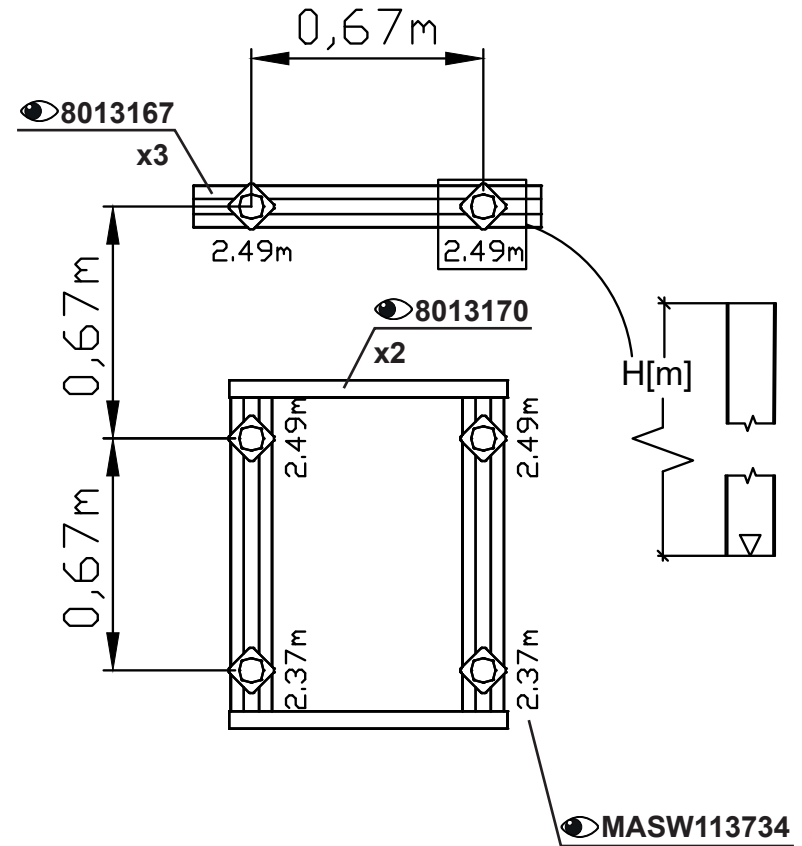
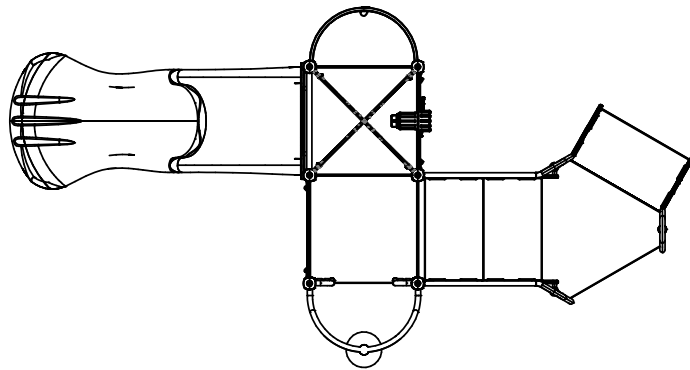
<p>WARNING</p> <p>Playset equipment must not be used as a climbing structure or used as a slide or other play structure. Do not use the playset as a climbing structure or as a slide or other play structure. Do not use the playset as a climbing structure or as a slide or other play structure.</p>	<p>WARNING</p> <p>Children are required to use the playset equipment. Do not use the playset equipment if the playset equipment is damaged or if the playset equipment is not properly assembled. Do not use the playset equipment if the playset equipment is damaged or if the playset equipment is not properly assembled.</p>	<p>play smart! rules</p> <p>Do not play on broken or damaged equipment. Do not play on equipment that is not properly assembled. Do not play on equipment that is damaged or if the playset equipment is not properly assembled.</p>
<p>WARNING</p> <p>All playset equipment and rubber surfacing must be installed in accordance with the manufacturer's instructions. Do not use the playset equipment if the playset equipment is damaged or if the playset equipment is not properly assembled.</p>	<p>WARNING</p> <p>Children are required to use the playset equipment. Do not use the playset equipment if the playset equipment is damaged or if the playset equipment is not properly assembled. Do not use the playset equipment if the playset equipment is damaged or if the playset equipment is not properly assembled.</p>	<p>Do not play on broken or damaged equipment. Do not play on equipment that is not properly assembled. Do not play on equipment that is damaged or if the playset equipment is not properly assembled.</p>
<p>WARNING</p> <p>Children are required to use the playset equipment. Do not use the playset equipment if the playset equipment is damaged or if the playset equipment is not properly assembled. Do not use the playset equipment if the playset equipment is damaged or if the playset equipment is not properly assembled.</p>	<p>WARNING</p> <p>Children are required to use the playset equipment. Do not use the playset equipment if the playset equipment is damaged or if the playset equipment is not properly assembled. Do not use the playset equipment if the playset equipment is damaged or if the playset equipment is not properly assembled.</p>	<p>Do not play on broken or damaged equipment. Do not play on equipment that is not properly assembled. Do not play on equipment that is damaged or if the playset equipment is not properly assembled.</p>

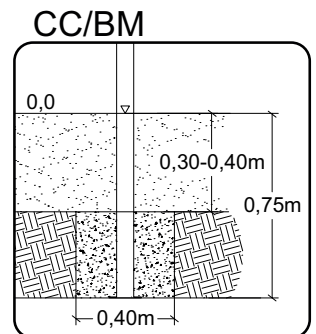
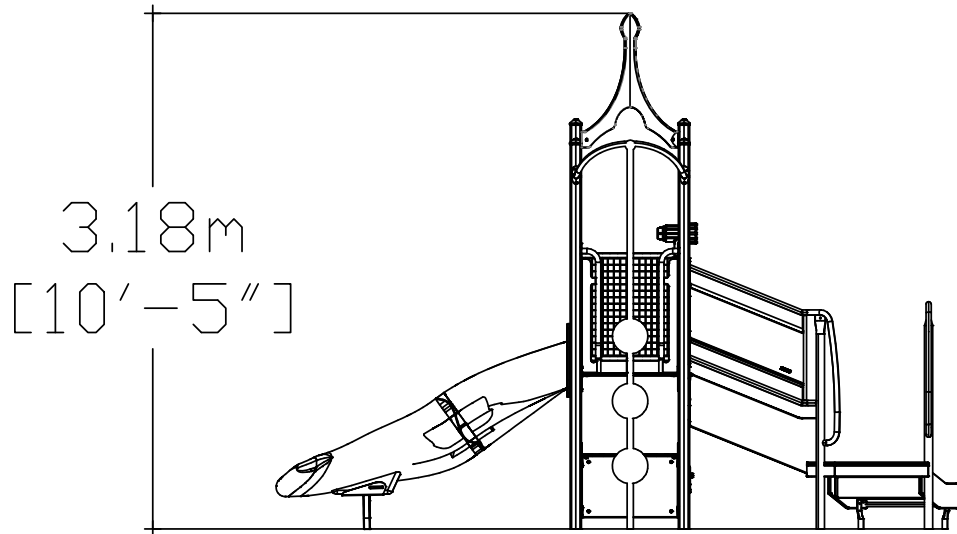
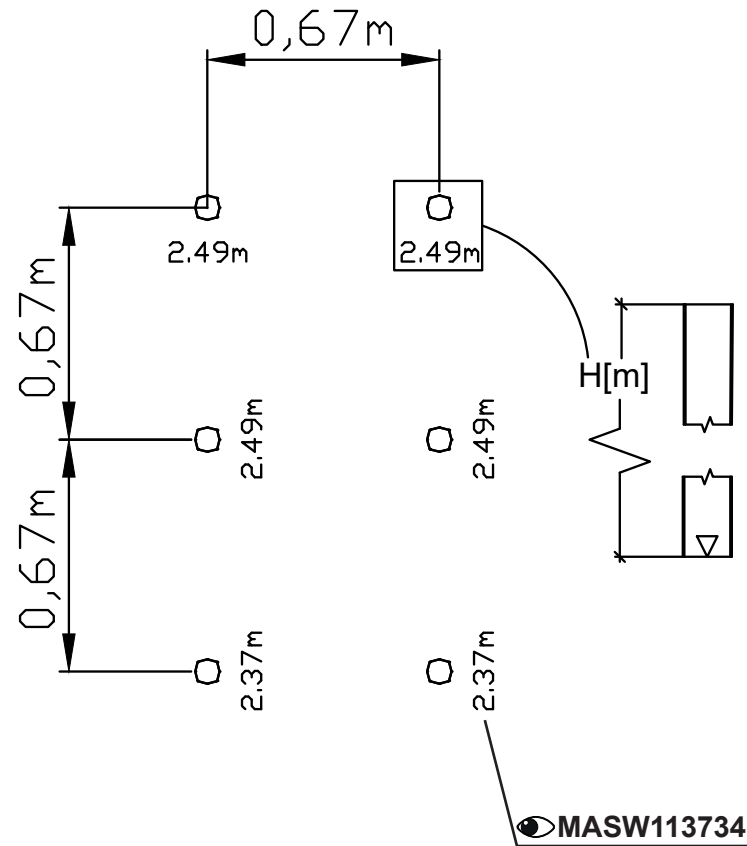
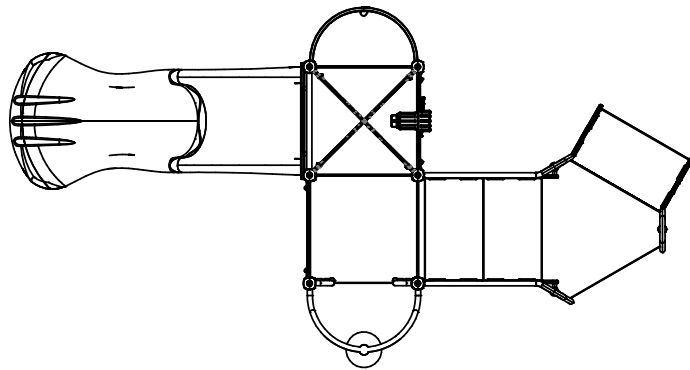
INSTALL 101

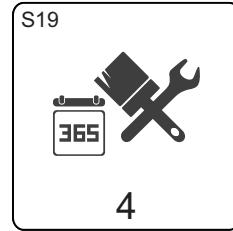
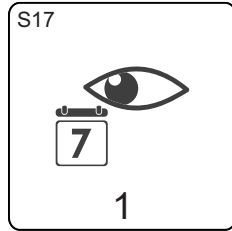
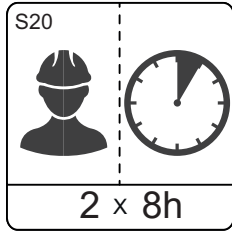
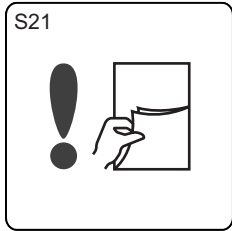
HAGS®

FOR KIDS AGES
18-5
MONTHS YEARS

ADULT SUPERVISION RECOMMENDED
www.hags.com

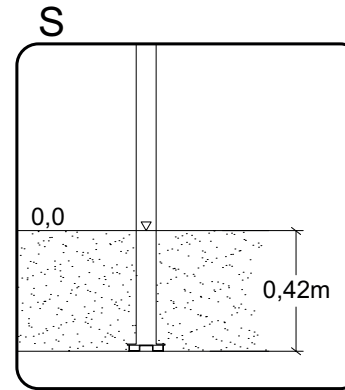




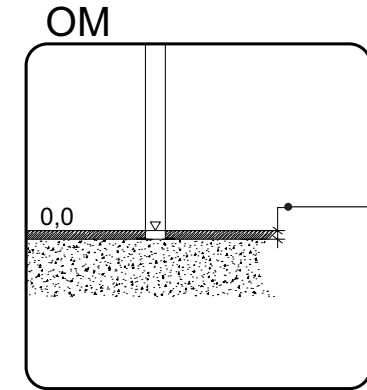


MASW113734

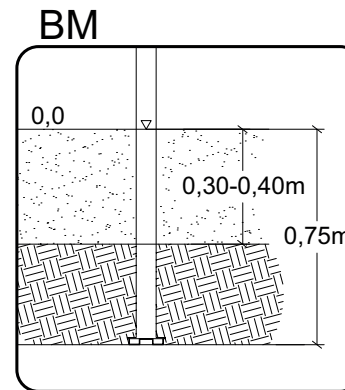
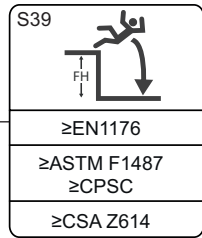
Install 101
260329
650099
650955
62093813
MA622U77152
MA624U675321
MA624U77152
MAOM675321
MAST6101
MASW113734
MAUSW117643
MAUSW117644
ST621101
ST621301
ST655410
ST692213
ST695105



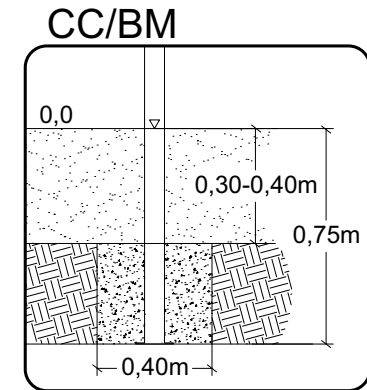
S
Sunken Foundation



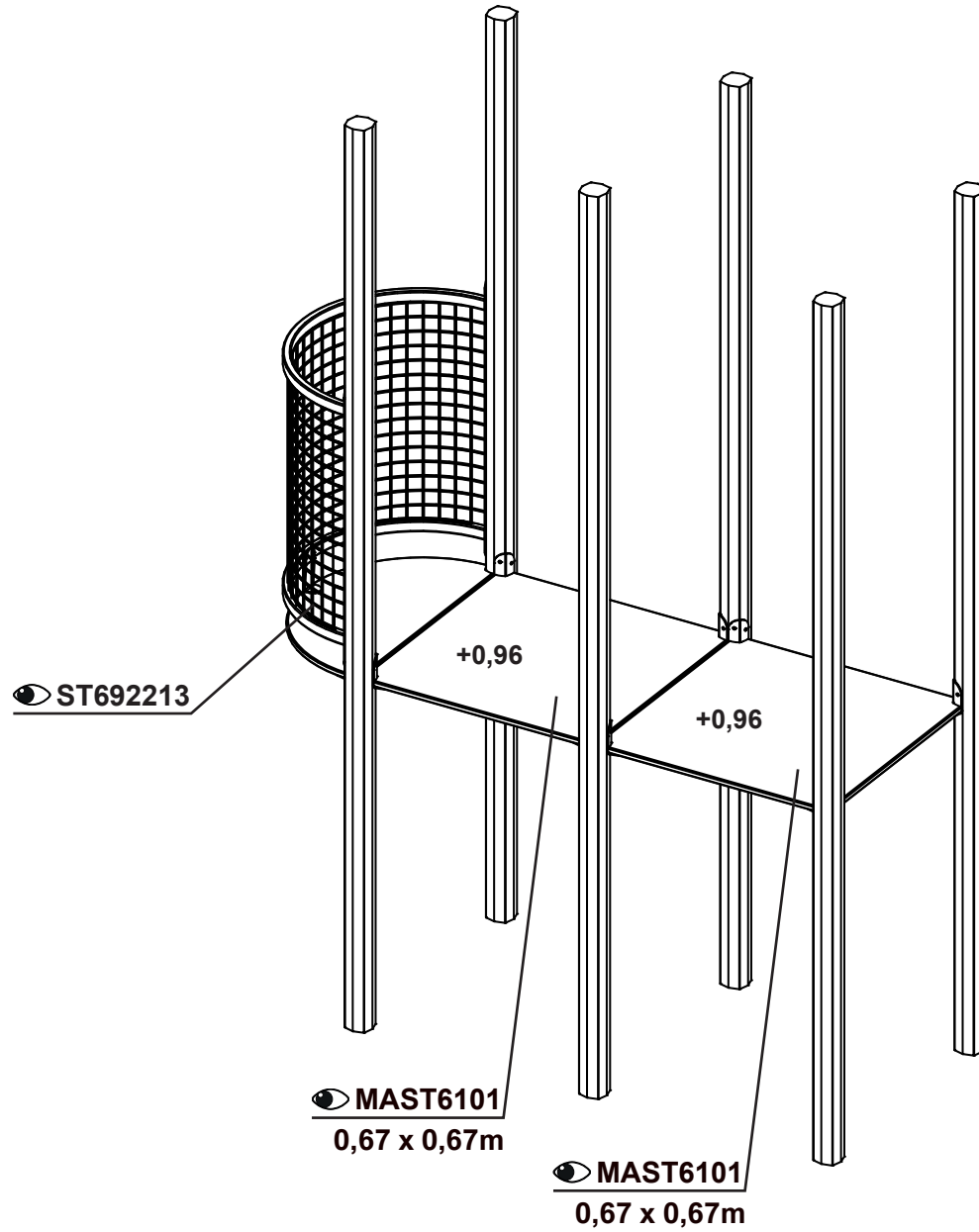
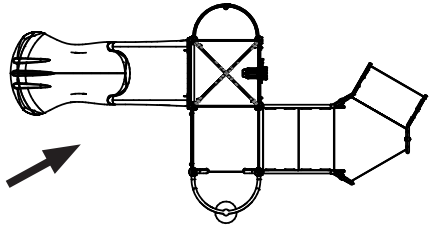
OM
Above Ground

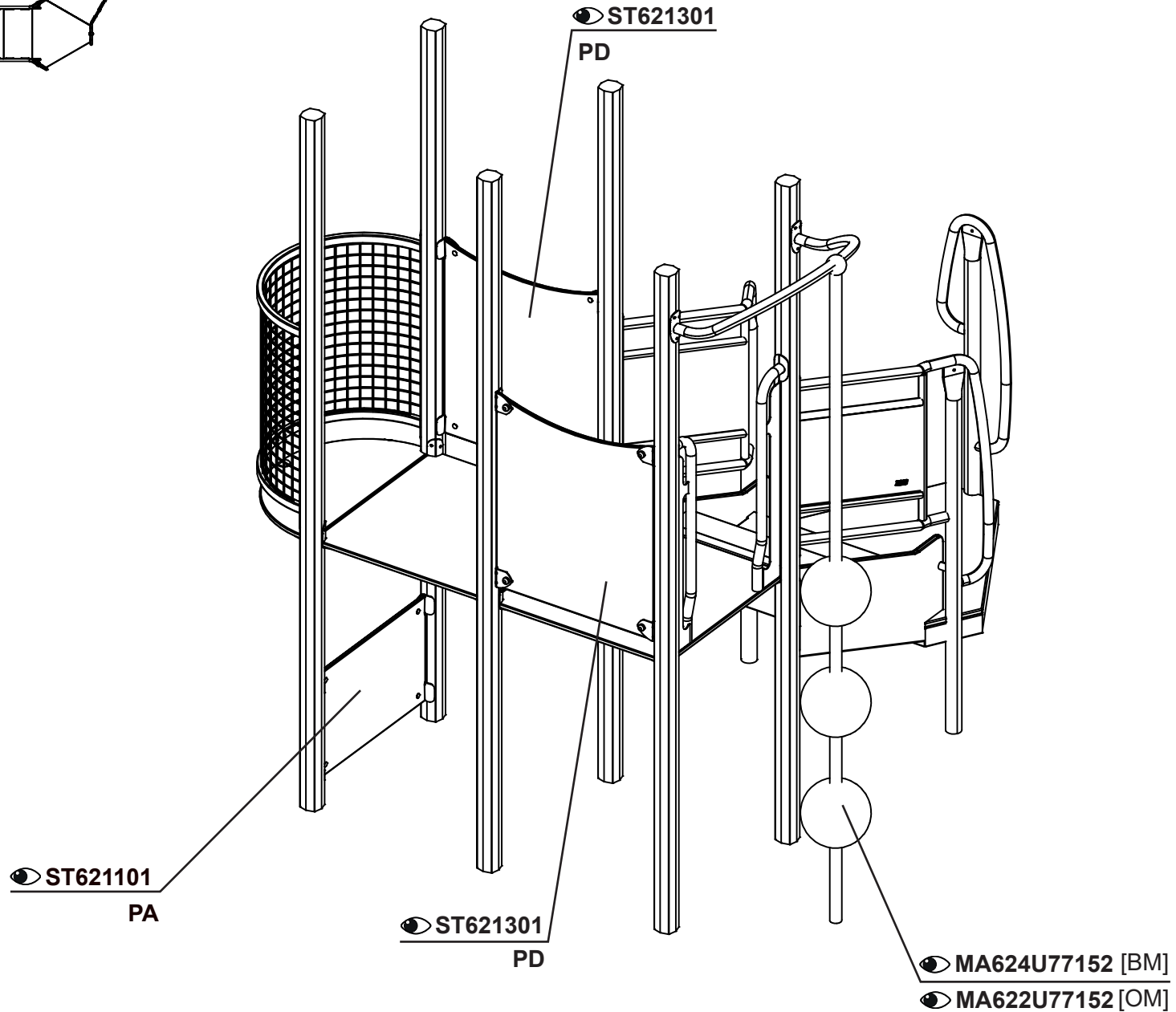
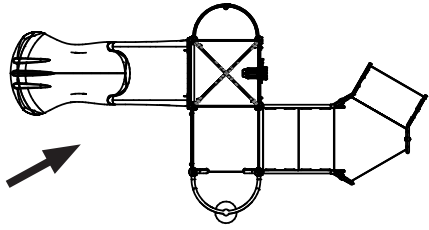


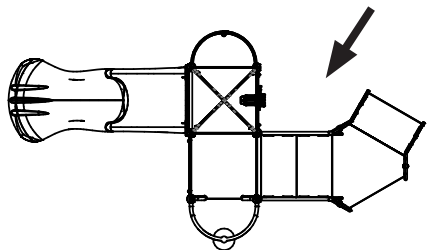
BM
Loosefill
 8112114



CC/BM
Cast Loosefill
 8112114

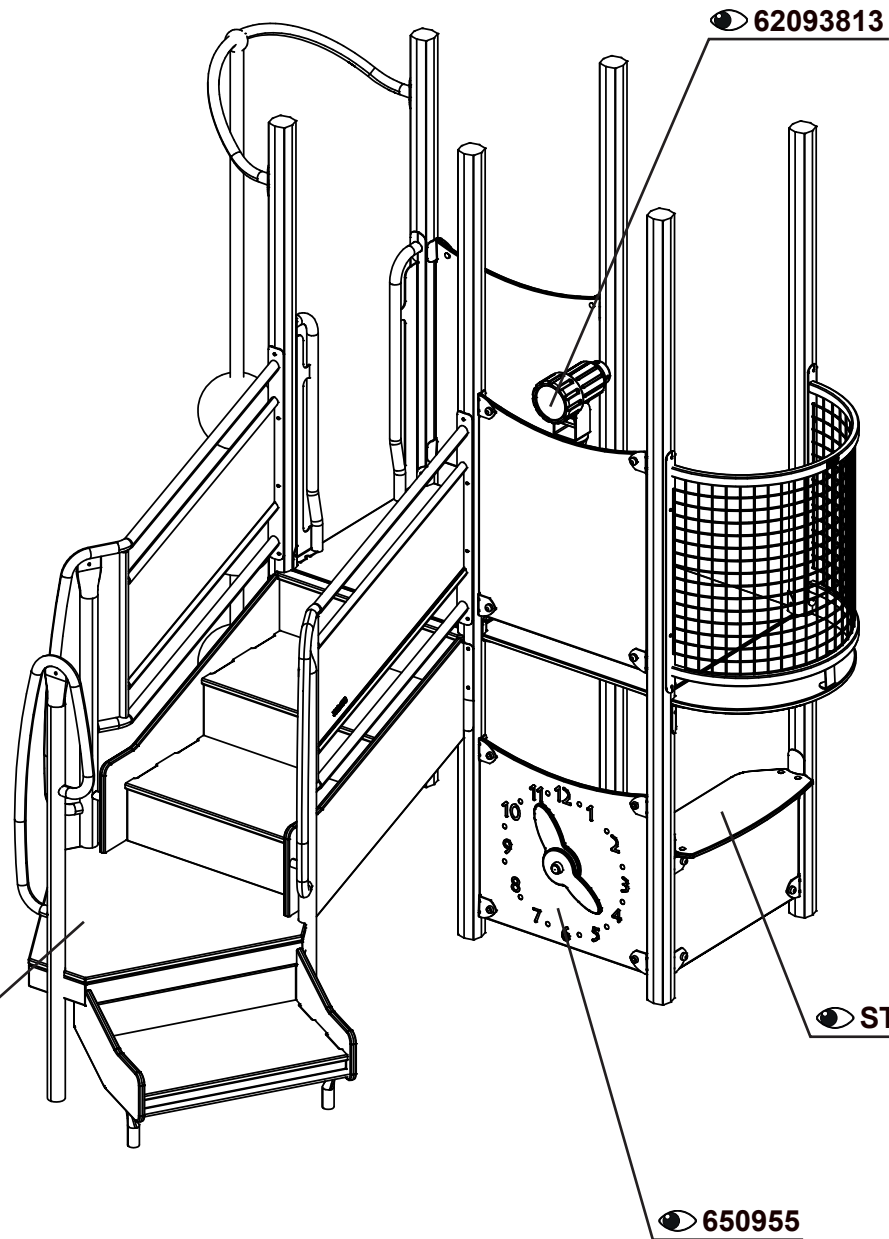






● MA624U675321 [BM]

● MASTOM675321 [OM]



● 62093813

● ST695105

● 650955

